

## AE-VC153T-IT Square Analog Camera



- Progressive scan CMOS
- Up to 720P resolution
- Low illumination, 0.1 lux @ (F1.2, AGC ON), 0 lux with IR
- Supports auto electronic day & night switch
- Supports auto white balance
- Supports left & right mirror mode
- IP 68 protection level

## ▪ Specification

Selection Parameter	
Min. Illumination	0.1 Lux@(F1.2, AGC ON), 0 Lux with IR
Protection Level	IP68
Case Type	Square camera
Resolution	1280×720
Lens Type	Fixed focal lens, 2.1, 2.8, 3.6 mm optional
FOV	2.1 mm, horizontal FOV 98°, vertical FOV 81°, diagonal FOV 125° 2.8 mm, horizontal FOV 96°, vertical FOV 51°, diagonal FOV 115° 3.6 mm, horizontal FOV 75°, vertical FOV 44°, diagonal FOV 90°
Sensor	Progressive Scan CMOS
IR Distance	15m
Camera	
Shutter Speed	1/25 s to 1/50,000 s
P/N	P (Default format is PAL and support switching to NTSC)
Wide Dynamic Range	85dB
Day & Night	Electronic
Lens	
Lens Mount	M12
Video	
Frame Rate	720P@25 fps
Image	
SNR	42 dB
Interface	
Video Output	TVI
Built-in Microphone	No
Built-in Speaker	No
Audio	No
Interface Style	1 Vpp Composite Output (aviation plug) 1: video, 2: empty, 3: power, 4: ground
Supplement Light Unit	
Power Supply	9 to 16 V DC
Power Consumption	Max. 2.5 W
General	
Camera Material	Metal
Camera Dimension	83.2 mm × 46 mm × 41.6 mm (3.28" × 1.81" × 1.64")
Startup and Operating Conditions	-40 °C to 75 °C (-40 °F to 167 °F), 90% or less (non-condensing)

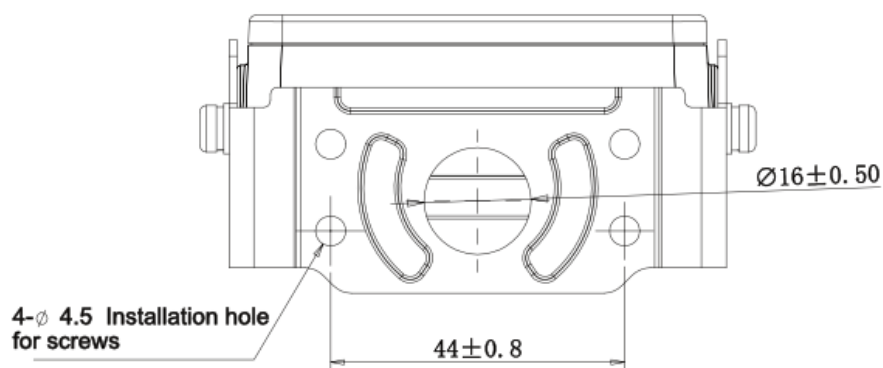
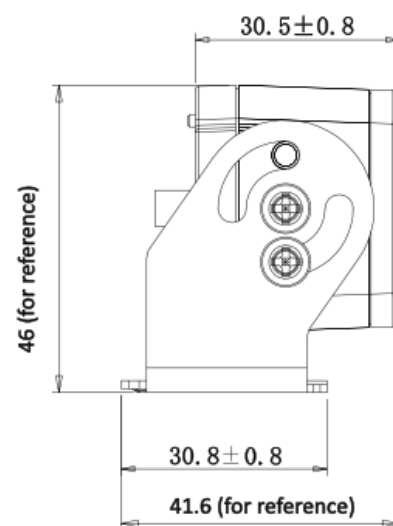
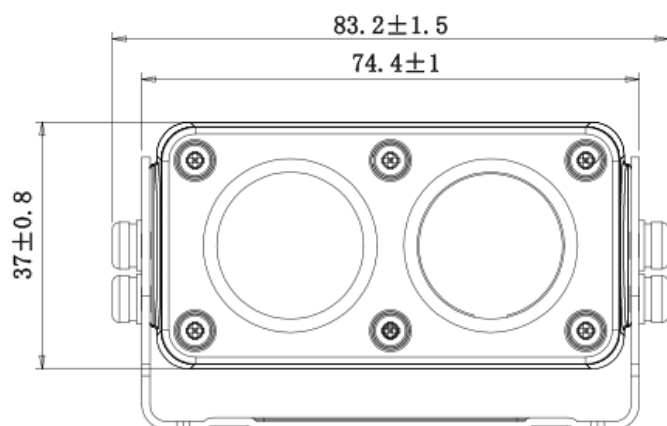
## ▪ Available Model

AE-VC153T-IT(2.1mm)

AE-VC153T-IT(2.8mm)

AE-VC153T-IT(3.6mm)

▪ Dimension



Unit: mm

**Headquarters**

No.555 Qianmo Road, Binjiang District,  
Hangzhou 310051, China  
T +86-571-8807-5998  
www.hikvision.com



Follow us on social media to get the latest product and solution information.

