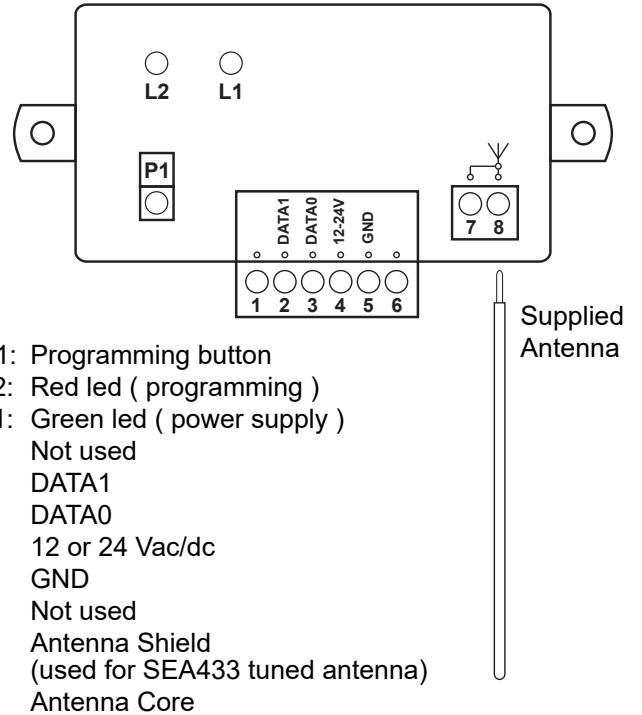


Wireless Weigand Receiver SELWR433

Instruction Manual



TERMINAL CONNECTIONS



RECEIVER INTRODUCTION

The wireless “Wiegand 26 bit format” receiver SELWR433 is a superheterodyne receiver operating at the frequency 433,92 MHz.

SPECIFICATIONS

Receiver type:	Superheterodyne
Operating frequency:	433,92 MHz
Power supply :	12 or 24 Vac/dc
Current consumption:	24 mA
Output type:	Wiegand 26-bit
Operating temperature:	-20 to +70 °C
Dimensions:	105 x 45 x 28 mm
Weight:	65 g

COMPATIBLE TRANSMITTERS



2-Channel Transmitters
S2TR2641E2

4-Channel Transmitters
S2TR2641E4



2-Channel Mini Transmitters
 Red: SETR2641AM2R
 Blue: SETR2641AM2B
 Burgundy: SETR2641AM2C
 Dark Gray: SETR2641AM2N
 Black: SETR2641AM2K

*Available with optional
built-in proximity badge*

1-Channel Transmitter
SETR2641AM1.AN

TRANSMITTER MEMORIZATION

The data frame sent by the transmitter is composed by a FACILITY CODE, a KEY BUTTON CODE (A, B or A+B, etc.) and a SERIAL NUMBER. Before starting transmitter memorization make sure **L1** LED is ON (power).



Facility or family code (FC)= 001 Serial Number (SN)= 28886 (card number)

The receiver can store up to 50 different combinations of facility code and key (A, B and A+B).

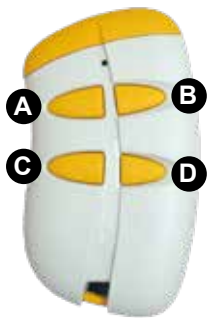
FACILITY CODE (FC)= 001		
A	B	A+B
Serial number= 28886 The maximum transmitter (serial number) depends on the access control system capacity.		

Application:

You have 2 garage door in the same range (location), one receiver per garage door, The **A** button for garage entry door (receiver 1) and the **B** button for garage exit door (receiver 2). This way you will....



Up to 3 combinations
Range: up to 200M (655 ft)



Up to 16 combinations
Range: up to 250M (820 ft)

TRANSMITTER KEY BUTTON PROGRAMMING

- 1) Press **P1** until the **L2** LED turns on, then release it.
- 2) Press a transmitter key button or any 2-key button combination simultaneously.
- 3) The **L2** LED turns off and then make a short flash. Any operation not allowed (memorization with full memory, memorization of already stored codes) will cause 2 quick flashes of **L2** LED.

DISABLING FACILITY CODE VERIFICATION

When disabling facility code verification, the receiver will accept any facility code and maintains the check on the key button.

Do the following to disable facility code verification:

- 1) Press the **P1** button until the **L2** LED turns on and then release it.
- 2) Within 1 sec. press **P1** again. At this point the **L2** LED starts to flash quickly. Facility code verification is now disable.

(To restore facility code verification, repeat the procedure)

LED INDICATORS

A 1 second flash of **L2** indicates a valid signal reception. A quick flash of **L2** indicates an invalid signal reception.

MEMORY RESET (FACTORY DEFAULT)

This procedure allows to erase receiver memory.

- 1) Press **P1** until **L2** LED turns on.
- 2) Release **P1** and then press it again until **L2** LED starts to flash 3 times.

At this point all settings are erased, and the receiver is reset to factory default.



IMPORTANT

Receiver location is crucial for optimal system performance. Place the receiver far from interference sources such as magnetic fields or radio emissions (neon ballasts, electric motors, etc.). Ensure quality signal reception by doing range tests before permanently mounting the receiver.

WARRANTY

The warranty period for this product is 24 months, beginning from the manufacturer date. During this period, if the product does not work correctly, due to a defective component, the product will be repaired or substituted at our discretion. The guarantee does not cover the plastic container integrity. After-sale service is supplied at the factory.