

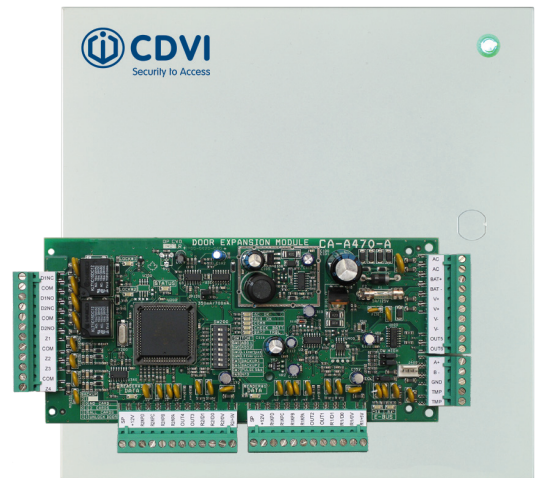
Datasheet

CA-470-A - CENTAUR 2-Door Expansion Module

Product Description

Expand your Centaur system with the CA-A470-A. Centaur's E-Bus technology allows any expansion module to be located up to 1220m (4000 ft) away from the CT-V900-A, thus reducing field-wiring costs by running only one cable to the CT-V900-A.

Reader, Keypad, Door Contact, REX device and Reader Outputs can be connected locally to the CA-A470-A by installing the expansion module close to the doors.




Key Features

- Controle 2 doors & 2 readers
- 2 lock outputs
- 4 inputs (door contacts & Rex devices)
- Up to three CA-A470-A modules per CT-V900-A
- E-Bus connectivity to the CT-V900-A up to 1220m (4000ft)

 Certification

 DEEE

RoHS Certification

 32°F to 120°F
0°C to 49°C

All the information contained within this document (pictures, drawings, features, dimensions, specifications), could be perceptibly different and can be changed without prior notice. Published: 09 August 2023. CDVI_CA470A_DS_01_EN-FR_LETTER_C

Product Specifications

Communication

E-BUS RS485 communication between controller and expanders

Input Specifications

Reader (Wiegand) Ports: 2
Keypad (Wiegand/BCD) Ports: 2
General purpose inputs: 8 (16 using ATZ, zone doubling)

Output Specifications

Lock outputs: 2 (750 mA (typical))
Relay outputs: 2 Form C relays, 15 A @ 28 V DC Resistive Load
 Tested for compliance @ 10 A
Reader Outputs: 6 (green, red, buzzer)

Electrical Specifications

Power input: 16 V AC, 40VA MAX (UL/ULC: CDVI150/ CDVI200, Europe: TR2475)
Power output: 24 V DC, 2.5 A
Lock output: 12 or 24 V DC
AC Terminal Fuse: 250 VA, 2.5 A Time Lag, Slow Blow
Power Loss Indicator: Yes
Battery backup: One 12 V DC, 7 Ah, gel cell batterie
On-board protection: 7 A fuse
Battery Protection: 5 A fuse

Accessories



DGLP FN WLC26

Mullan Multi-Tech Proximity Reader (125 kHz)



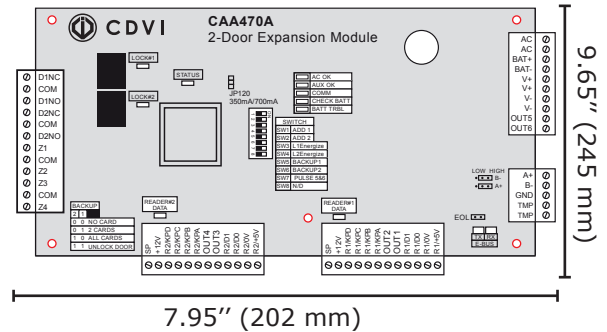
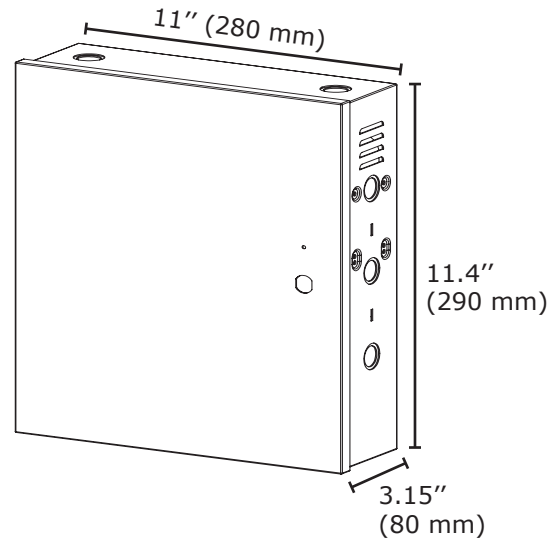
STARPB

Mullan Multi-Tech Proximity Reader (125 kHz)



SOLARKPB

Keypad & Multi-Tech Proximity Reader (125 kHz)



All the information contained within this document (pictures, drawings, features, dimensions, specifications), could be perceptibly different and can be changed without prior notice. Published: 09 August 2023. CDVI_CAA470A_DS_01_EN-FR_LETTER_C