

Product Information

COPYRIGHT ©2019 Hangzhou Hikvision Digital Technology Co., Ltd.
ALL RIGHTS RESERVED.

Any and all information, including, among others, wordings, pictures, graphs or the properties of Hangzhou Hikvision Digital Technology Co., Ltd. or its subsidiaries (hereinafter referred to be "Hikvision") cannot be reproduced, changed, translated, or distributed, partially or wholly, by any means, without the prior written permission of Hikvision. Unless otherwise stipulated, Hikvision does not make any warranties, guarantees or representations, express or implied, regarding to the Manual.

About this Manual
This Manual is applicable to Alarm Keypad.
The Manual includes instructions for using and managing the product. Pictures, charts, images and all other information hereinafter are for description and explanation only. The information contained in the Manual is subject to change, without notice, due to firmware updates or other reasons. Please find the latest version in the company website (<http://overseas.hikvision.com/en/>). Please use this user manual under the guidance of professionals.

HIKVISION Trademarks Acknowledgement and other Hikvision's trademarks and logos are the properties of Hikvision in various jurisdictions. Other trademarks and logos mentioned below are the properties of their respective owners.

CE This product and - if applicable - the supplied accessories too are marked with "CE" and comply therefore with the applicable harmonized European standards listed under the RE Directive 2014/53/EU, the EMC Directive 2014/30/EU, the LVD Directive 2014/35/EU, the RoHS Directive 2011/65/EU.

The Input voltage should meet both the SELV (Safety Extra Low Voltage) and the Limited Power Source according to the IEC60950-1 standard. Please refer to technical specifications for detailed information.

2012/19/EU (WEEE directive): Products marked with this symbol cannot be disposed of as unsorted municipal waste in the European Union. For proper recycling, return this product to your local supplier upon the purchase of equivalent new equipment, or dispose of it at designated collection points. For more information see: www.recyclethis.info

Legal Disclaimer

TO THE MAXIMUM EXTENT PERMITTED BY APPLICABLE LAW, THE PRODUCT DESCRIBED, WITH ITS HARDWARE, SOFTWARE AND FIRMWARE, IS PROVIDED "AS IS", WITH ALL FAULTS AND ERRORS, AND HIKVISION MAKES NO WARRANTIES, EXPRESS OR IMPLIED, INCLUDING WITHOUT LIMITATION, MERCHANTABILITY, SATISFACTORY QUALITY, FITNESS FOR A PARTICULAR PURPOSE, AND NON-INFRINGEMENT OF THIRD PARTY. IN NO EVENT WILL HIKVISION, ITS DIRECTORS, OFFICERS, EMPLOYEES, OR AGENTS BE LIABLE TO YOU FOR ANY SPECIAL, CONSEQUENTIAL, INCIDENTAL, OR INDIRECT DAMAGES, INCLUDING, AMONG OTHERS, DAMAGES FOR LOSS OF BUSINESS PROFITS, BUSINESS INTERRUPTION, OR LOSS OF DATA OR

DOCUMENTATION, IN CONNECTION WITH THE USE OF THIS PRODUCT, EVEN IF HIKVISION HAS BEEN ADVISED OF THE POSSIBILITY OF SUCH DAMAGES.

REGARDING TO THE PRODUCT WITH INTERNET ACCESS, THE USE OF PRODUCT SHALL BE WHOLLY AT YOUR OWN RISKS. HIKVISION SHALL NOT TAKE ANY RESPONSIBILITIES FOR ABNORMAL OPERATION, PRIVACY LEAKAGE OR OTHER DAMAGES RESULTING FROM CYBER ATTACK, HACKER ATTACK, VIRUS INSPECTION, OR OTHER INTERNET SECURITY RISKS; HOWEVER, HIKVISION WILL PROVIDE TIMELY TECHNICAL SUPPORT IF REQUIRED.

SURVEILLANCE LAWS VARY BY JURISDICTION. PLEASE CHECK ALL RELEVANT LAWS IN YOUR JURISDICTION BEFORE USING THIS PRODUCT IN ORDER TO ENSURE THAT YOUR USE CONFORMS THE APPLICABLE LAW. HIKVISION SHALL NOT BE LIABLE IN THE EVENT THAT THIS PRODUCT IS USED WITH ILLEGITIMATE PURPOSES.

IN THE EVENT OF ANY CONFLICTS BETWEEN THIS MANUAL AND THE APPLICABLE LAW, THE LATER PREVAILS.

English

Diagram Reference

1 Components and Indication

	Power Indicator Green	Normal Battery: Solid green for 2s (keypad waked up) Low Battery: Flashing green flashes 3 times (keypad waked up) Patrol card presented: Power and Fault LEDs flashes 2 times Strong Signal Strength: Flashes 3 times
	Partition Indicator Blue	Armed: Related LED flashes once, and light on 2 s while the keypad is waked up Disarmed/Alarm Cleared: Related LED flashes twice Operation failed: Related LED flashes 3 times Alarm: Related LED flashes 30s Enrolled and Strats work: 4 LEDs flashes 4 times together
	Fault Indicator Orange	Weak Signal Strength: Flashes 3 times
	Alarm Indicator Red	Patrol card presented: Power and Fault LEDs flashes 2 times Zone/ Fire Alarm Triggered: Flashes 30s No Alarm or Alarm Restored: Off
	Keypad Backlight White	Keypad locked: flashes 2 times Turn off if no operation for 5 s, turn on when touched

2. Tag Area 3. TAMPER Switch (on the board)

Present Tag/Tag Key/Armed	Beep
Disarmed	Beep Beep
Operation Failed	Beep Beep Beep
Keypad Tampered	Beep Beep Beep Beep
Card Enrolled	Beep
Zone Tampered	Long Beep (30 s)
Fire Alarm	Long Beep (30 s)

Formatting
Remove the battery. Hold the TAMPER button (with slend rod) and power the keypad on at the same time. The power, alarm, fault indicators flashes 4 time after the formatting is completed.

2 Power On

- Loosen the set screws on bottom of the keypad.
- Remove the mounting plate.
- Install four AA batteries according to the polarity mark.
Note: Do not reverse the polarity of the battery.

3 Enrollment

Local Enrollment
Power on the security control panel. Make the control panel enter the enrollment mode. Press the tamper switch (on the board) of the keypad. The partition indicators flashes 4 times when the keypad is enrolled and ready for work.

Note: The distance between the security control panel and the keypad should be less than 50 cm.

4 Installation

- Check Signal Strength
Enter the signal checking mode by operating on the control panel.
Trigger the tamper alarm.
Power indicator flashes 3 times - Strong Signal
Fault indicator flashes 3 times - Weak Signal

- Loosen the set screws on bottom of the keypad.
- Rotate anti-clockwise to remove the mounting plate.
- Secure the mounting plate on the wall with four supplied.
It is required to insert the screw for tamper alarm.
- Rotate the keypad body clockwise to fasten the body on the 5. Tighten the screw on the bottom to fix the keypad on the mounting plate and complete the installation.

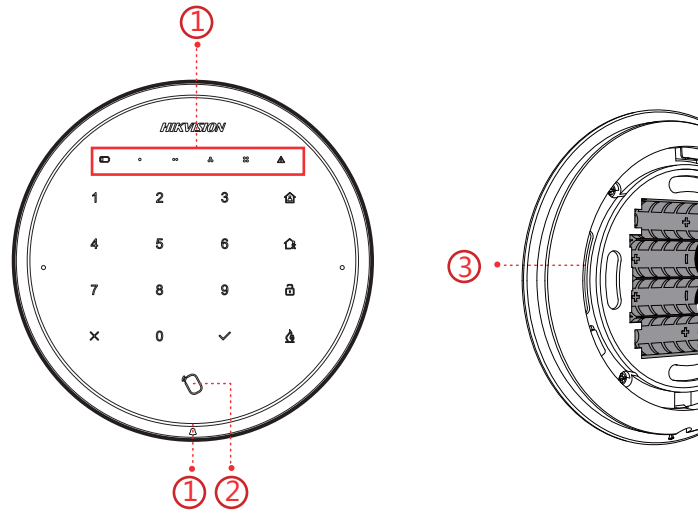
5 Operation

Tag Operation	① Away Arming	② Stay Arming	③ Disarming
	Operation	Tasks	
Other Operation	Stay/Away Arming Disarming	Global Keypad	All Partition: 1. Enter the user password. 2. Tab the stay/away/disarm key.
		Specified Partition Keypad	1. Tab the user password. 2. Tab the "V" key. 3. Enter the partition No. (1/2/3/4) 4. Tab the stay/away/disarm key.
	Fire Alarm	Hold the fire alarm key for 3 s.	
	Panic Alarm	Hold the disarming key for 3 s.	
	Confirm	Tab the "V" key.	
	Delete	Delete the latest key operation	

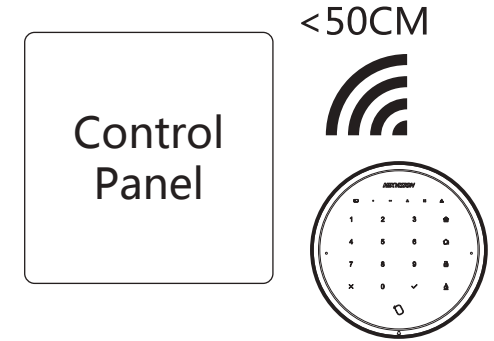
Specification

	Wireless Keypad	
RF	RF speed	10 Dkaps/4.8bps
	RF frequency	433MHz/868MHz
	RF method	2FSK
	Transmission distance	800m (open area)
Interface and Component	Power	10dBm
	Tamper-proof	3 tamper switch, front and rear tamper-proof
	Wireless Module	Communicates with control panel
	Tag reader	Supports standard IC card
	Buzzer	1
	Serial port	1, reserved
	Indicator	3 status indicators: power (green), fault (orange), and alarm (red) 4 partition indicators: armed/disarmed (blue)
	Backlight	1 group
	Numeric key	10, 0 to 9
	Function key	6, fire, away arming, stay arming, disarming, deleting, and OK
Electrical & Battery	Power	4 AA Batteries, 3V DC, ≥ 3 years standby
	Operation humidity	10% to 90%
Others	Operation temperature	-10°C to +55°C
	Color	White/Black
	Installation	Wall mounting with screws

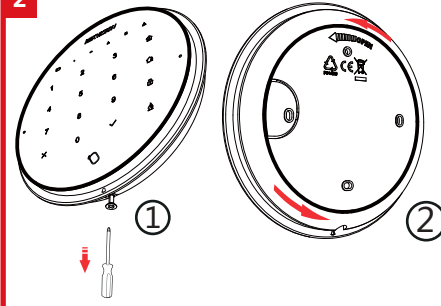
1



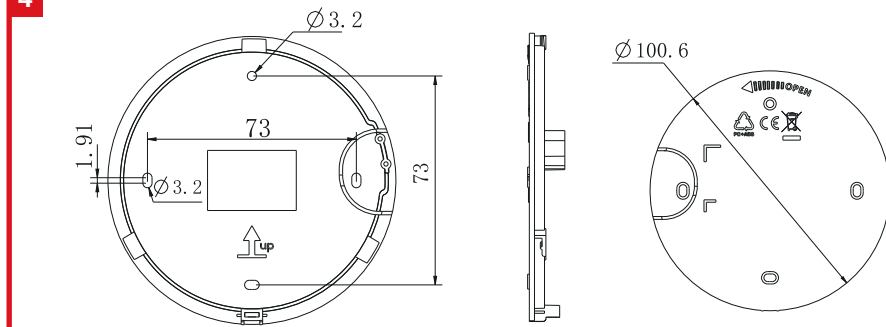
3



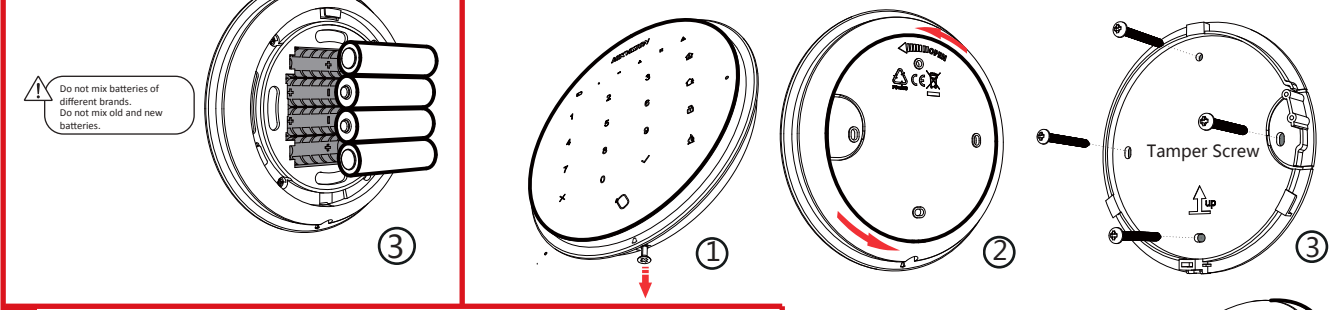
2



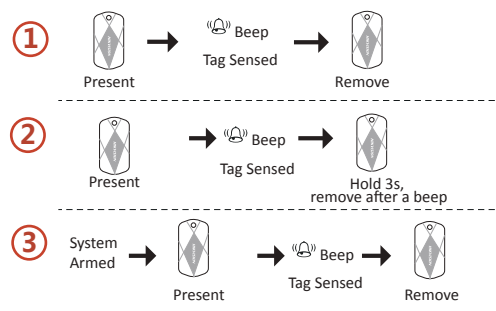
4



5



5



Refer to the **Components and Indication** section for indicator and buzzer description.

Operating illegal tag (unregistered tag) more than 3 times, the device will be locked for 90s.

