

# Wired Siren

## DS-PMA-BELL User Manual



### Overview

DS-PMA-BELL simulated rotation siren, designed with resin, is applicable in extreme environments. Red, yellow, green or blue light are selectable. By using LED bead lamp, the light is direct and gathered. It produces audible and visual alerts and it supports buckled installation method.

### Main Feature

- LEDbeam lamp. Illumination > 800 Lux, Life expectancy > 40000 h.
- PS Lampshade: anti-UV and great transmittance.
- ABS base: impact resistance and thermal resistance.
- Buckled lampshade: easy installation.
- Simulated rotation: stable in vibration or shaking.

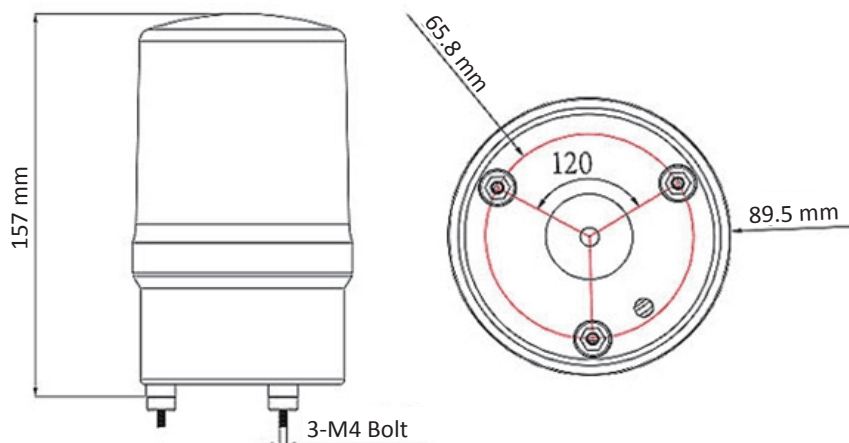
### Specification

Voltage	12 VDC		
Power	1w to 3 w	Light Source	LED Bead Lamp
Strobe Flash	Simulated Rotation	Color	Red/Yellow/Green/Blue
Working Temperature	-20 °C to 70 °C (-4 °F to 158 °F)	Working Humidity	10% to 90%
Material	Lampshade: PS Base: ABS	Installation	Bolt/Strong Magnetic

## Wiring

- Power Cable: The siren supports two-wiring.
- Alternating Current : Red - Line, Black - Neutral.
- Direct Current : Red - Positive Electrode, Black - Negative Electrode.

## Dimension



## Installation

- Check whether the power supply matches the siren before wiring.
- Fixed the siren to mounting surface with 3 M4 screws.  
The mounting surface should be smooth and withstand mechanical strength.
- Connect the power cable refer to the wiring description.  
Make sure the wiring correct and turn on the power.

## Notes

- Please read the instructions carefully and use the siren correctly.
- The technical parameters for selection or customization during installation refer to the actual product.
- If the product does not work properly, contact your dealer or the nearest service.  
Never attempt to disassemble the siren yourself.

## Product Information

COPYRIGHT ©2018 Hangzhou Hikvision Digital Technology Co., Ltd.  
ALL RIGHTS RESERVED.

Any and all information, including, among others, wordings, pictures, graphs are the properties of Hangzhou Hikvision Digital Technology Co., Ltd. or its subsidiaries (hereinafter referred to be “Hikvision”). This user manual (hereinafter referred to be “the Manual”) cannot be reproduced, changed, translated, or distributed, partially or wholly, by any means, without the prior written permission of Hikvision. Unless otherwise stipulated, Hikvision does not make any warranties, guarantees or representations, express or implied, regarding to the Manual.

About this Manual

This Manual is applicable to Control Panel

The Manual includes instructions for using and managing the product. Pictures, charts, images and all other information hereinafter are for description and explanation only. The information contained in the Manual is subject to change, without notice, due to firmware updates or other reasons. Please find the latest version in the company website

**HIKVISION** Trademarks Acknowledgement and other Hikvision’s trademarks and logos are the properties of Hikvision in various jurisdictions. Other trademarks and logos mentioned below are the properties of their respective owners.

Legal Disclaimer

TO THE MAXIMUM EXTENT PERMITTED BY APPLICABLE LAW, THE PRODUCT DESCRIBED, WITH ITS HARDWARE, SOFTWARE AND FIRMWARE, IS PROVIDED “AS IS”, WITH ALL FAULTS AND ERRORS, AND HIKVISION MAKES NO WARRANTIES, EXPRESS OR IMPLIED, INCLUDING WITHOUT LIMITATION, MERCHANTABILITY, SATISFACTORY QUALITY, FITNESS FOR A PARTICULAR PURPOSE, AND NON-INFRINGEMENT OF THIRD PARTY. IN NO EVENT WILL HIKVISION, ITS DIRECTORS, OFFICERS, EMPLOYEES, OR AGENTS BE LIABLE TO YOU FOR ANY SPECIAL, CONSEQUENTIAL, INCIDENTAL, OR INDIRECT

DOCUMENTATION, IN CONNECTION WITH THE USE OF THIS PRODUCT, EVEN IF HIKVISION HAS BEEN ADVISED OF THE POSSIBILITY OF SUCH DAMAGES.

REGARDING TO THE PRODUCT WITH INTERNET ACCESS, THE USE OF PRODUCT SHALL BE WHOLLY AT YOUR OWN RISKS. HIKVISION SHALL NOT TAKE ANY RESPONSIBILITIES FOR ABNORMAL OPERATION, PRIVACY LEAKAGE OR OTHER DAMAGES RESULTING FROM CYBER ATTACK, HACKER ATTACK, VIRUS INSPECTION, OR OTHER INTERNET SECURITY RISKS; HOWEVER, HIKVISION WILL PROVIDE TIMELY TECHNICAL SUPPORT IF REQUIRED.

SURVEILLANCE LAWS VARY BY JURISDICTION. PLEASE CHECK ALL RELEVANT LAWS IN YOUR JURISDICTION BEFORE USING THIS PRODUCT IN ORDER TO ENSURE THAT YOUR USE CONFORMS THE APPLICABLE LAW. HIKVISION SHALL NOT BE LIABLE IN THE EVENT THAT THIS PRODUCT IS USED WITH ILLEGITIMATE PURPOSES.