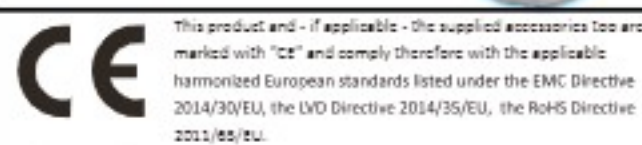


DS-PD2-P18CE

18m Digital Curtain PIR Detector



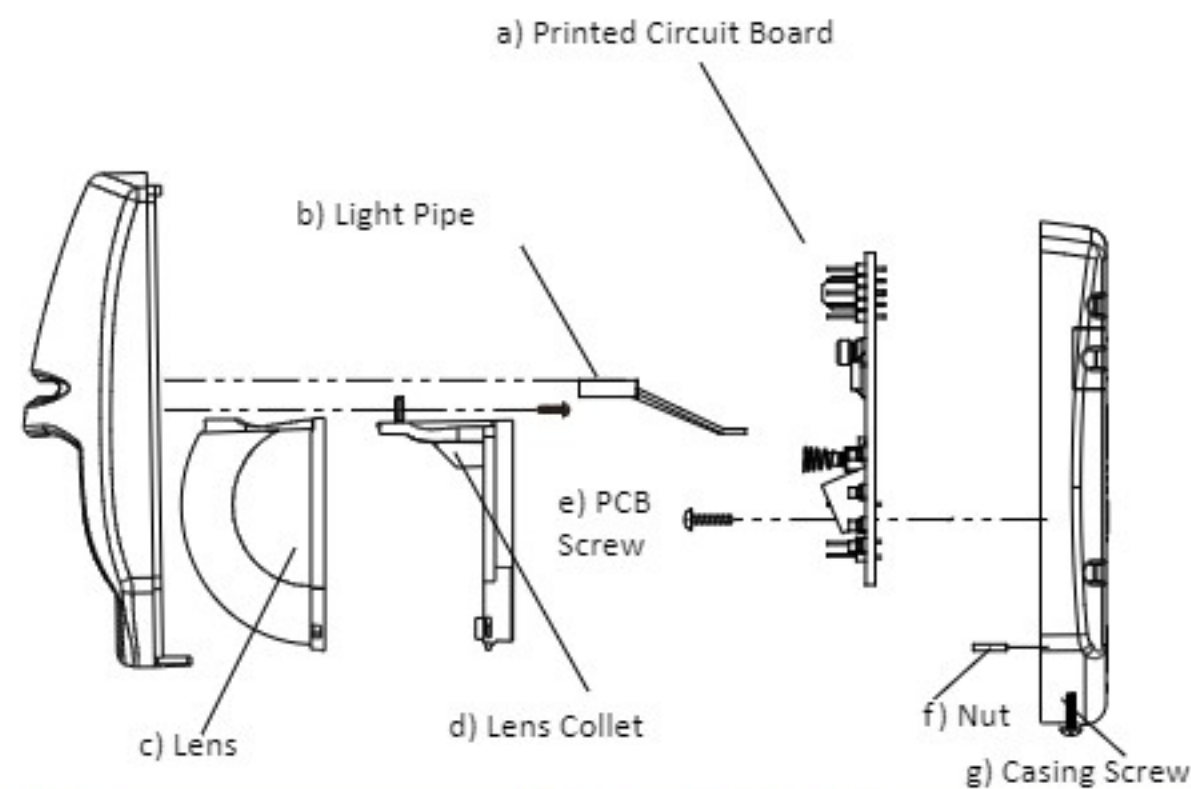
EN50131-2-2:2008
EN50131-1:2006+A1:2009
Security Grade (SG) 2
Environmental Class (EC) II



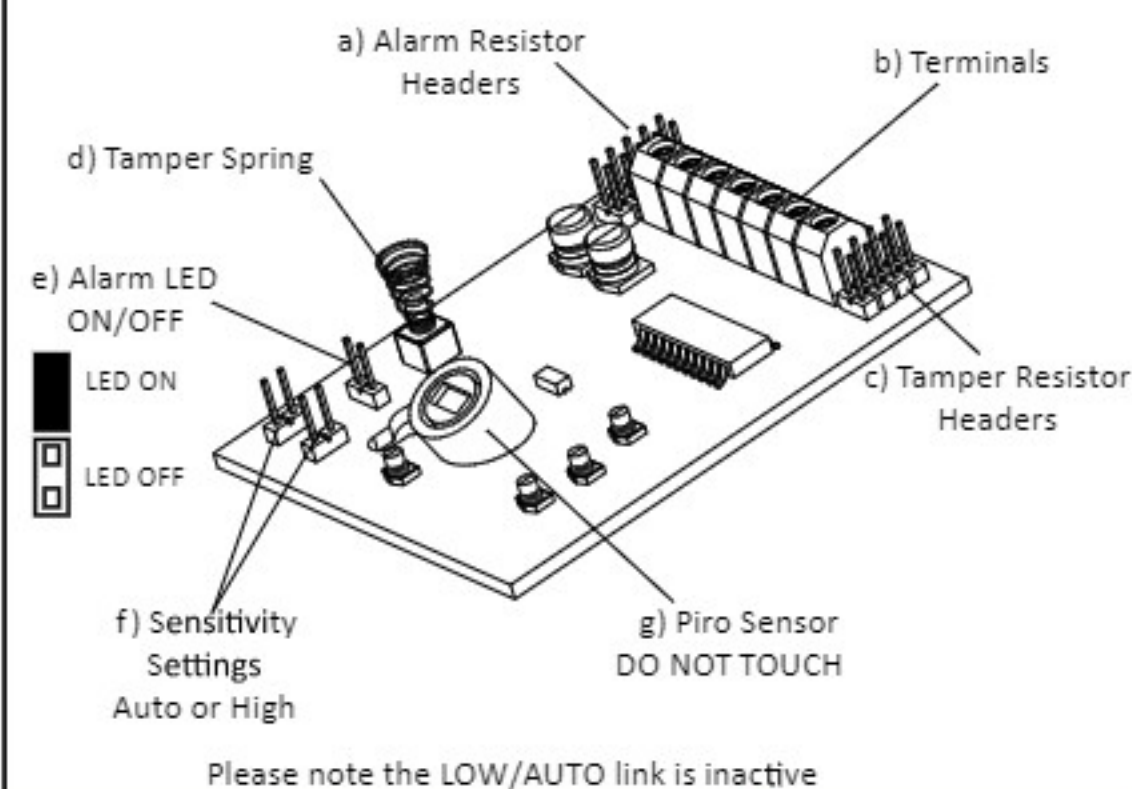
This product and - if applicable - the supplied accessories too are marked with "CE" and comply therefore with the applicable harmonized European standards listed under the EMC Directive 2014/30/EU, the LVD Directive 2014/35/EU, the RoHS Directive 2011/65/EU.

For electrical products sold within the European Community, at the end of the electrical product's life, it should not be disposed of with household waste. Please recycle where facilities exist. Check with your local Authority or retailer for recycling advice in your country.

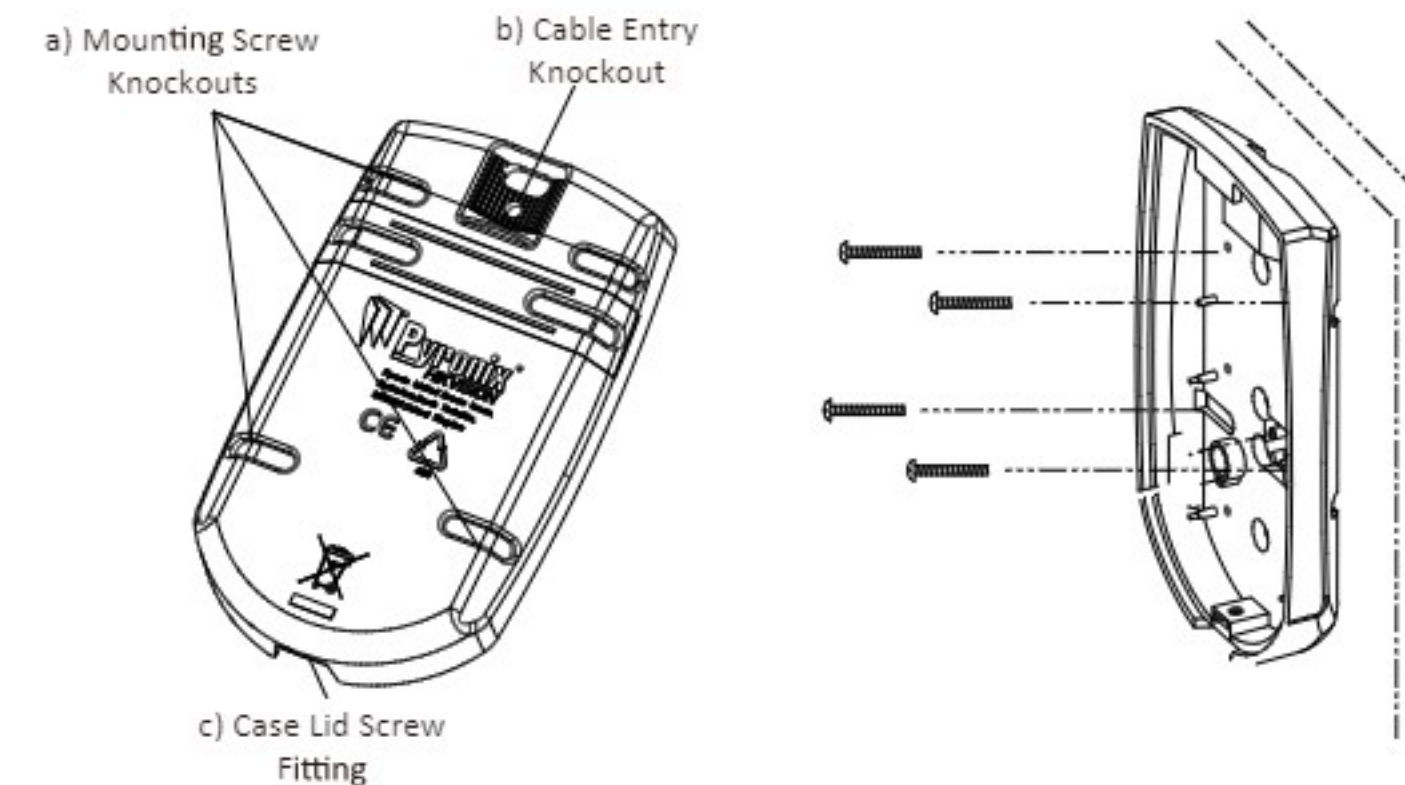
1: Disassembling / Changing the Lens



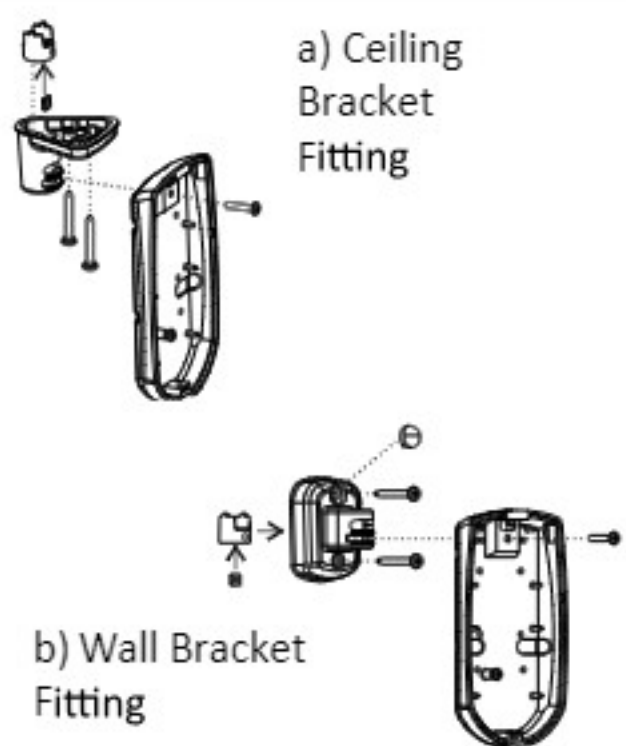
2: The Printed Circuit Board



3: Cable Entry + Mounting



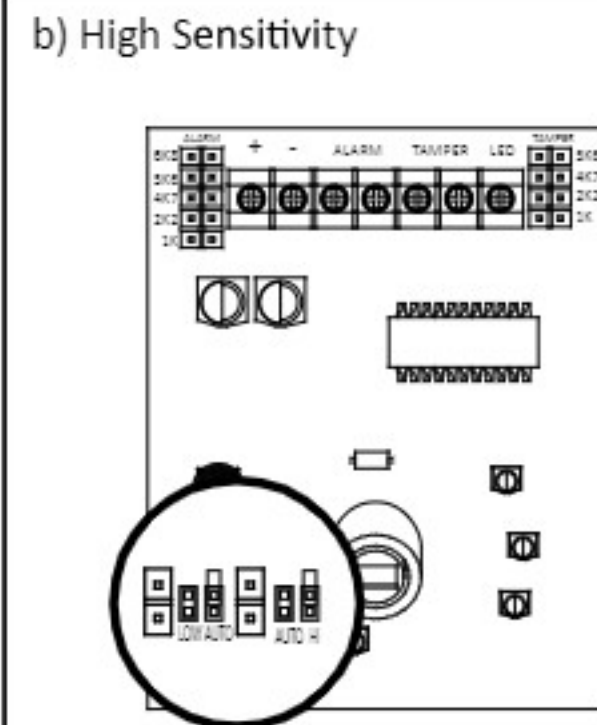
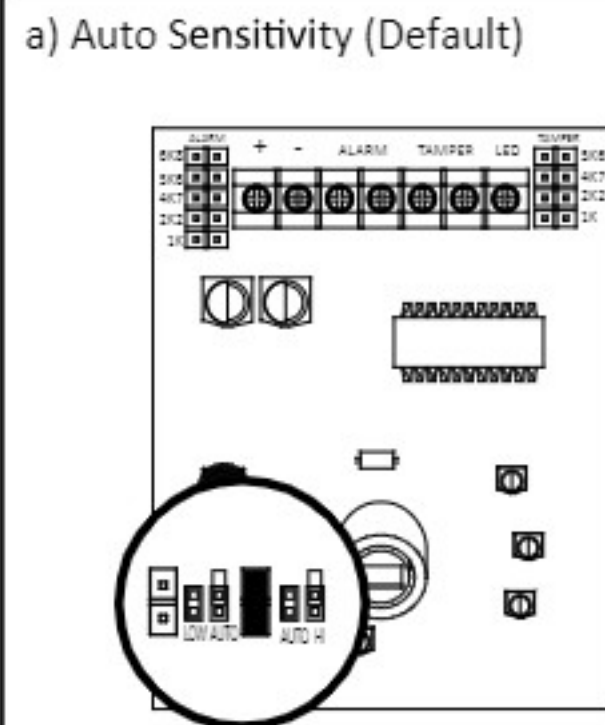
4: Bracket Connections



5: Installation Hints

- Do not partially or completely obscure the detector's field of view with large objects such as furniture.
- #### Avoiding False Alarms
1. Avoid placing the detector in direct sunlight.
 2. Do not let pets and other animals wander freely whilst the alarm system is armed.
 3. Do not mount the detector near heaters or radiators.
 4. Do not mount the detector near open windows or air vents as draughts may cause false alarms
 5. Mount the detector on a stable surface.
 6. Do not run cable parallel to mains wiring.

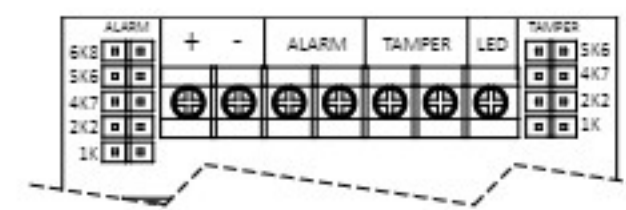
6: Sensitivity Settings



7: EOL Resistor Headers

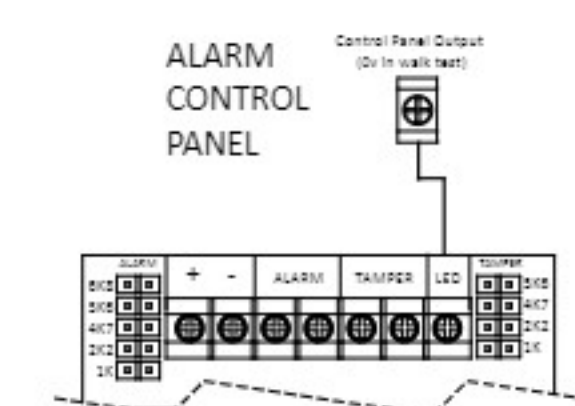
The detector has 2 set of header pins at the top of the printed circuit board. These headers are used to select the End of Line resistance for EOL wiring applications.

If EOL wiring is not used, leave the headers OFF.

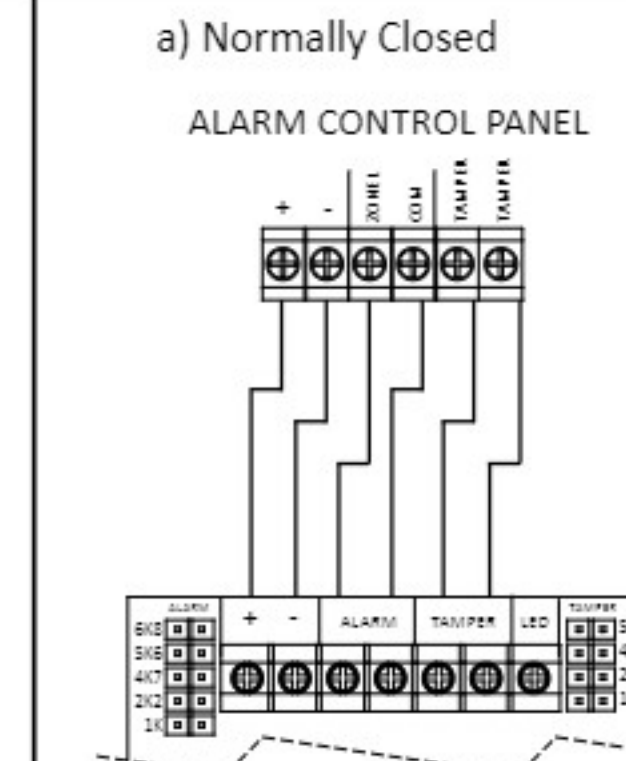


8: Remote LED Enable

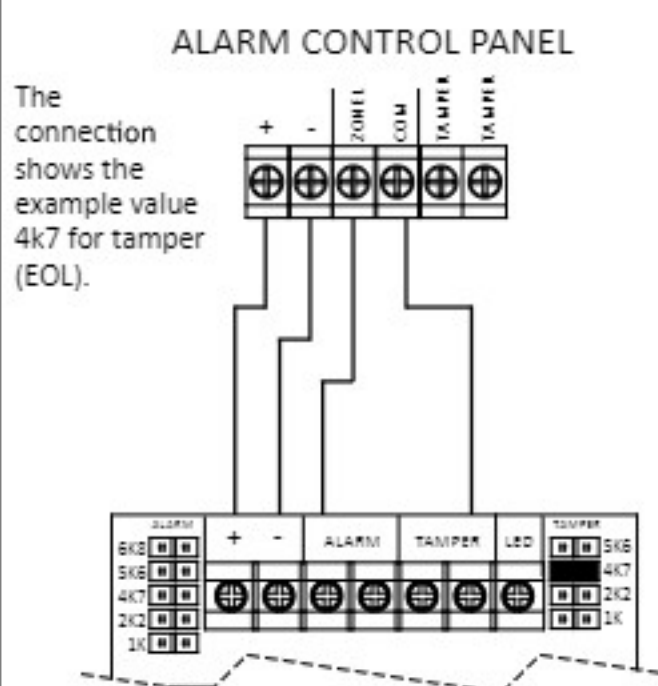
The detector has a terminal marked 'LED' which can be used to enable the LED in walk test only on an alarm control panel. This is used when the LED is disabled via the LED ON/OFF link. To enable this feature, the LED terminal needs to be connected to an output on the control panel. When the system is in walk test mode the output should be at 0v. The output would be usually programmed as 'Remote LED enable'



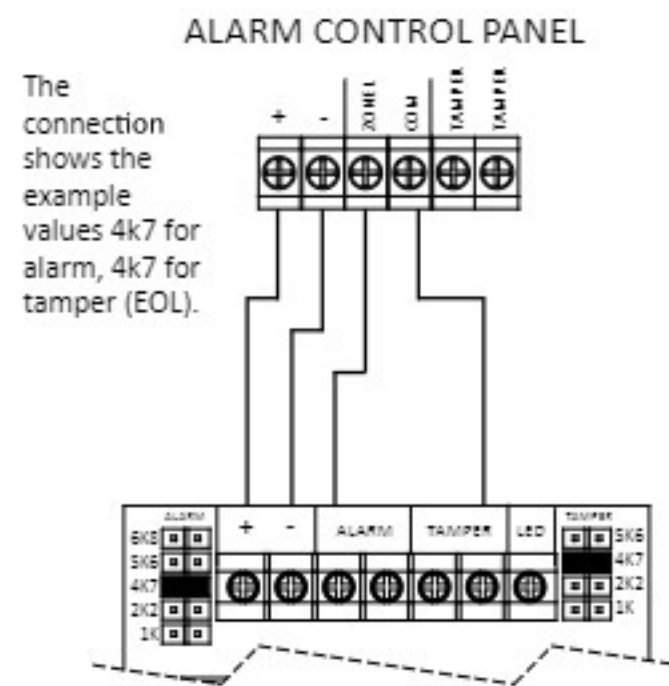
9: Choose the Connection Type



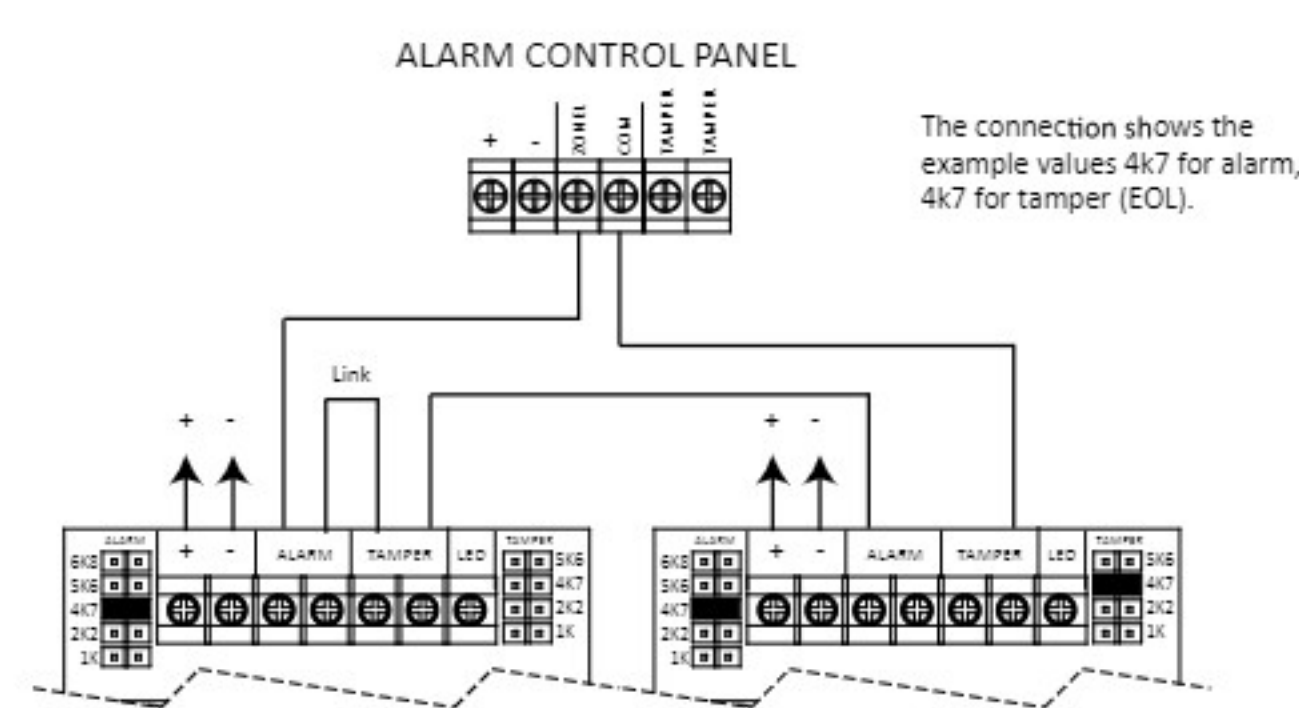
b) Single End of Line Wiring



c) Double End of Line Wiring

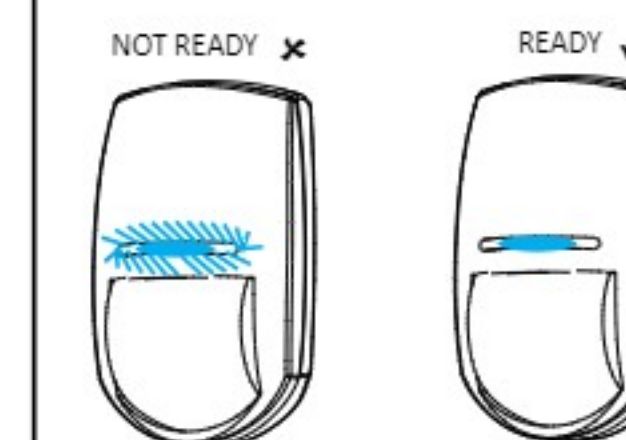


d) Two Double End of Line Detectors to One Input

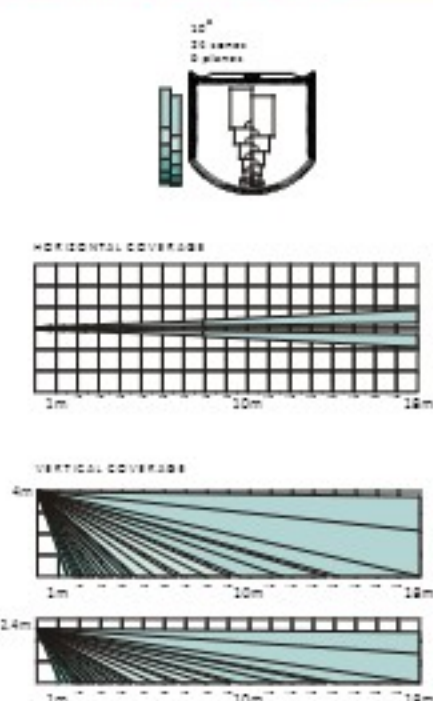


10: Powering Up

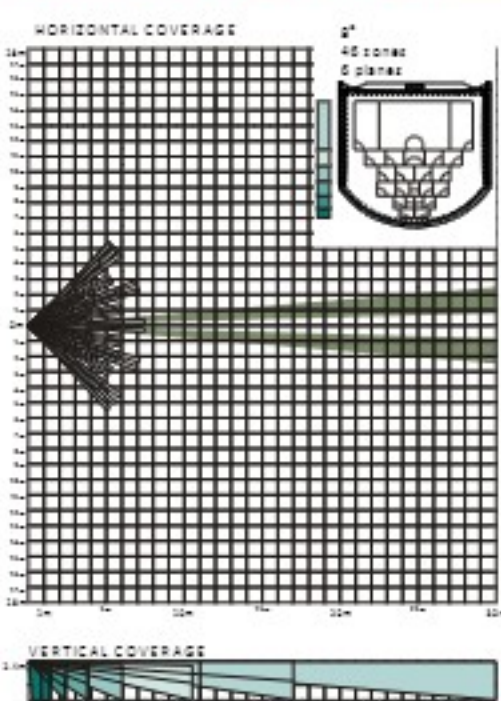
When the detector is first powered up, it will run through a self-test routine, indicated by the flashing BLUE LED. Once this has distinguished the detector is ready to use.



11: The 18m Curtain Lens



12: The 30m Curtain Lens



13: Dimensions and Weight



14: Technical Specification

Optical and Range Features		Electrical Specifications	
Coverage (Default)	10, 24 zones, and 8 planes	Power Supply	9-16 DC (120C nominal)
Maximum Range	18m or 30m	Current Consumption at Rest	13mA
Optimal Installation Height	2.4-4m	Current Consumption in Alarm	13mA
Creep-Zone Protection	Yes	Relay Type	Solid state
Key Features		Outputs Relay	80 VDC, 30mA protection
Blue Wave Technology	Yes	Tamper Terminal	12 VDC max, 30mA max
Automatic Sensitivity	Yes	Alarm Response	2.3s
Digital Temperature Compensation	Yes	Detection Speed	0.3 to 3m/s
Optical Quad	Yes	Optics	Sealed optics
DEOL Resistors on Board	Yes	Geometric Lens Configuration	3D
Tamper Protection Included	Yes	Other Details	
Accessories		Operating	-10 °C to +40 °C (Certified)
Ceiling Bracket Included	Yes	Weight	125g without bracket
Wall bracket included	Yes	Dimensions	117 x 69 x 50 mm



The input voltage should meet both the SELV (Safety Extra Low Voltage) and the limited Power Source according to the IEC60950-1 standard. Please refer to technical specifications for detailed information.

15: Product Information

User Manual
COPYRIGHT © 2018 Hangzhou Hikvision Digital Technology Co., Ltd. ALL RIGHTS RESERVED.

Any and all information, including, among others, wordings, pictures, graphs are the properties of Hangzhou Hikvision Digital Technology Co., Ltd. or its subsidiaries (hereinafter referred to be "Hikvision"). This user manual (hereinafter referred to be "the Manual") cannot be reproduced, changed, translated, or distributed, partially or wholly, by any means, without the prior written permission of Hikvision. Unless otherwise stipulated, Hikvision does not make any warranties, guarantees or representations, express or implied, regarding to the Manual.

About this Manual:
This manual is applicable to detector.
The Manual includes instructions for using and managing the product. Pictures, charts, images and all other information hereinafter are for description and explanation only. The information contained in the Manual is subject to change, without notice, due to firmware updates or other reasons. Please find the latest version in the company website (<http://overseas.hikvision.com/en/>).

Please use this user manual under the guidance of professionals.

Trademarks Acknowledgement
Hikvision and other Hikvision's trademarks and logos are the properties of Hikvision in various jurisdictions. Other trademarks and logos mentioned below are the properties of their respective owners.

FCC Information
Please take attention that changes or modification not expressly approved by the party responsible for compliance could void the user's authority to operate the equipment.

FCC compliance: This equipment has been tested and found to comply with the limits for a Class B digital device, pursuant to part 15 of the FCC Rules. These limits are designed to provide reasonable protection against harmful interference in a residential installation. This equipment generates, uses and can radiate radio frequency energy and, if not installed and used in accordance with the instructions, may cause harmful interference to radio communications. However, there is no guarantee that interference will not occur in a particular installation. If this equipment does cause harmful interference to radio or television reception, which can be determined by turning the equipment off and on, the user is encouraged to try to correct the interference by one or more of the following measures:

- Reorient or relocate the receiving antenna.
- Increase the separation between the equipment and receiver.
- Connect the equipment into an outlet on a circuit different from that to which the receiver is connected.
- Consult the dealer or an experienced radio/TV technician for help.

FCC Conditions
This device complies with part 15 of the FCC Rules. Operation is subject to the following two conditions:
1. This device may not cause harmful interference.
2. This device must accept any interference received, including interference that may cause undesired operation.

