

YS-138L

Long Type American Electric Strike

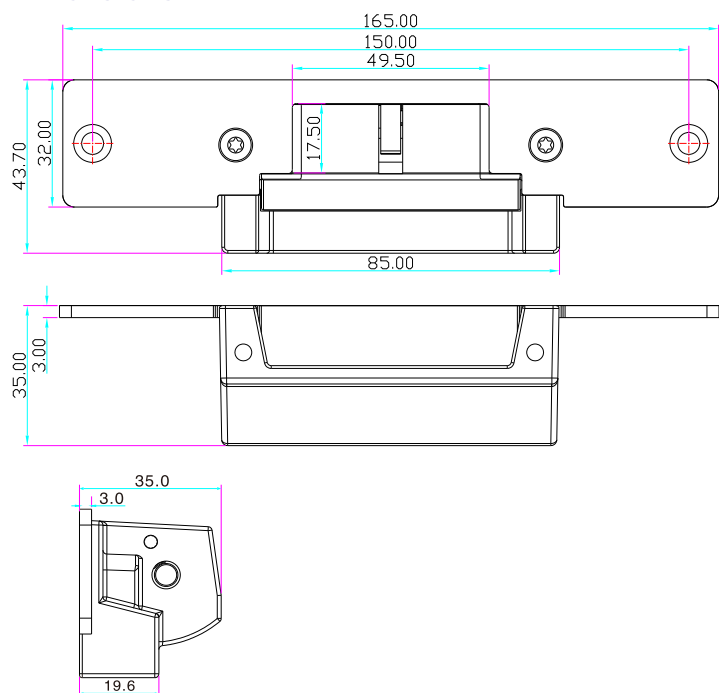


Product overview

YS-138LNO/NC is designed for wooden door, metal door, PVC door and so on. The operating principle of electric strike is that electromagnetism produces the force to pull or push the release lever so that to lock or open the door.

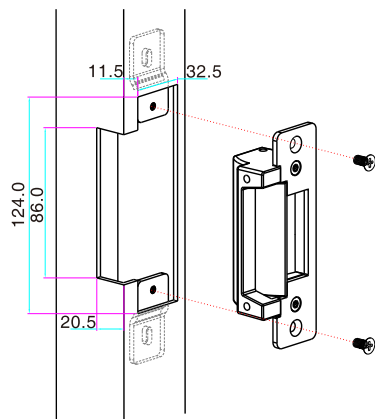
Dimensions

Unit: mm

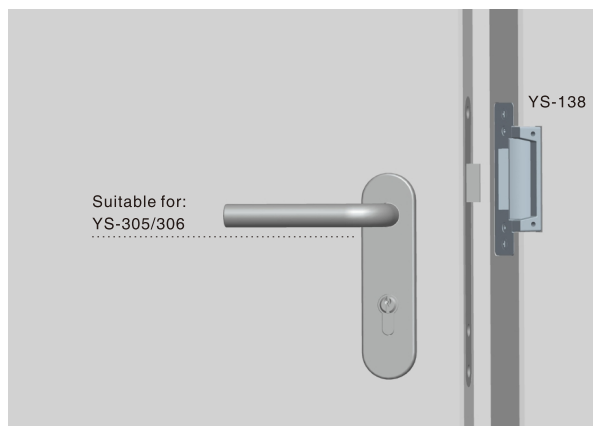


Parameter/Model	YS-138L
Parameter	Description
Lock Size	165Lx43.7Wx35H(mm)
Strike Structure	stainless steel precision casting
Holding Force	1000kg
Voltage	DC12V (Need Order DC24V)
Current	12V/320mA;24V/160mA
Feature	Fail Secure(YS-138LNO); Fail Safe(YS-138LNC)
Suitable For	Wooden Door, Metal Door, PVC Door
Surface Temperature	Within +20°C
Suitable Temperature	-10~+55°C(14-131F)
Operating Humidity	0~95%(non-condensing)
Face plate Housing	Painted Steel
Function	Built-out MOV
Optional Accessories	YS-305 YS-306
Weight	0.4kg

Installation dimension



Installation



Shenzhen YLI Electric Lock Co.,Ltd.

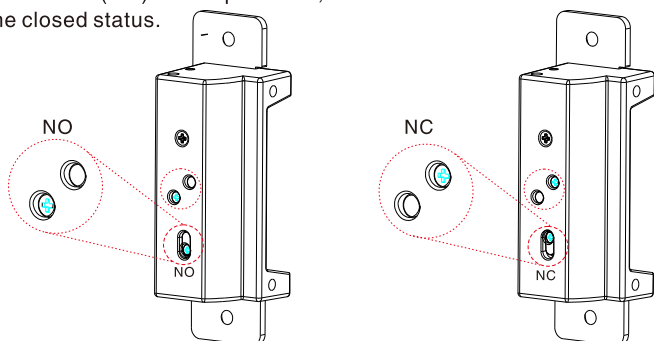
Function Conversion

You can set the operation mode of Fail Safe or Fail Secure.

Loose the screw and tighten it in the other hole.

Fail Safe(NC): When power off, the door is in the open status.

Fail Secure(NO): When power off, the door is in the closed status.

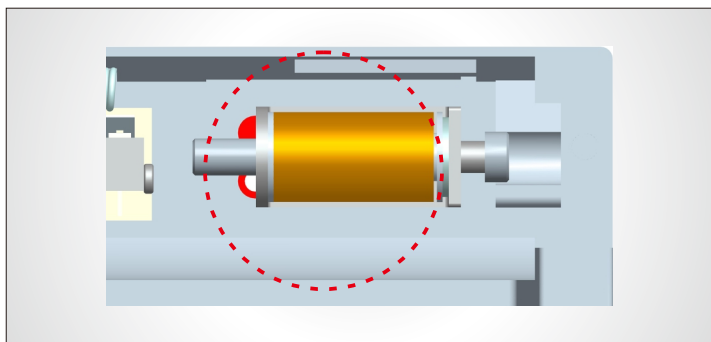


Fail Secure

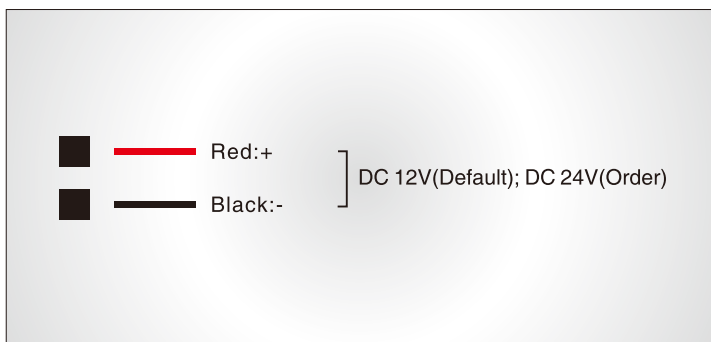
Fail Safe

Specific solenoid valve

Specially designed solenoid valve has the long useful life over 1,000,000 times.

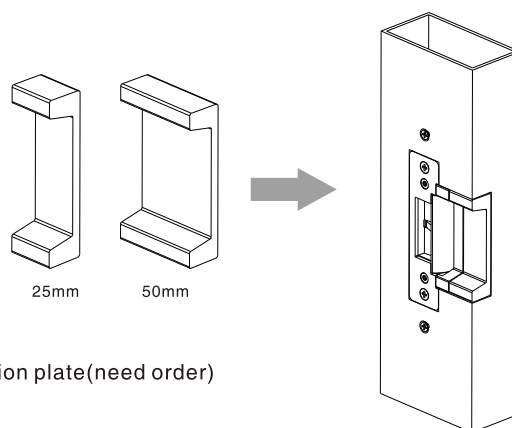


Signal Output



Accessories

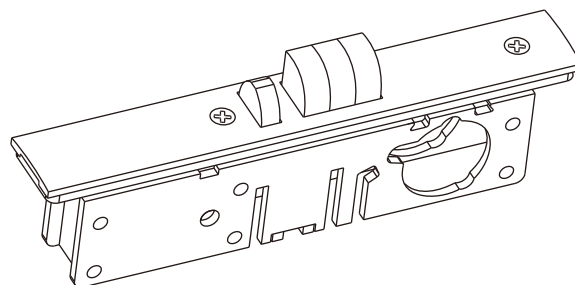
If the door frame is too thick, please use the extension plate. Installation is as the follows.



Extension plate(need order)

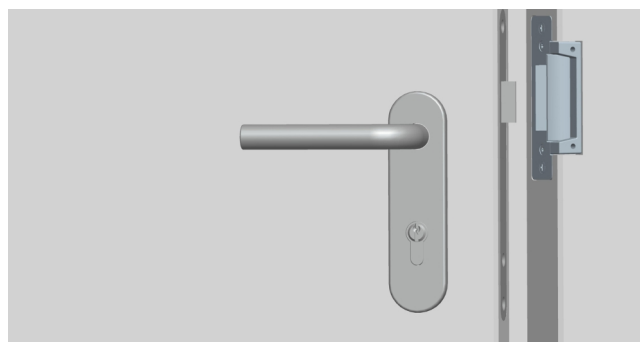
Options of Mechanical Lock

Suitable for: YS-138L



Installation Diagram

Entrance will be managed by access control system, key can be used under emergency



Shenzhen YLI Electric Lock Co.,Ltd.

Room 1605, Block A, Haisong Building, Tairan 9th Road, Futian District, Shenzhen, China
 TEL:86-755-83489801/02/03/04/05/06 FAX:86-755-83489807
 Website: www.yli.cn E-mail: yli@yli.cn

