



YLI ELECTRONIC

# Break Glass Fire Emergency Exit Release

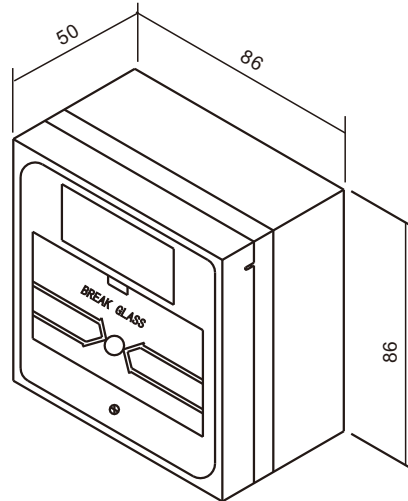
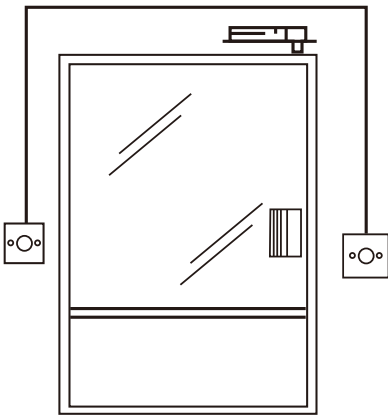
Model: CPK-860A/B/C/D



## Specification

- Dimensions: 86Lx86Wx50H(mm)
- Current Rating: 3A@36VDC Max
- Suitable for Door: Exit Door, Emergence Door
- Operating temp: 10~+55°C (14-131F)
- Material Selection: Fireproof Material, Sandblast Finished
- Weight: 0.2kg
- Standard Structure: Fireproof Material, Easy to install.
- Output Contact: NO/NC/COM
- Optional Accessories: Cover
- Operating Humidity: 0-95% (relative humidity)
- Color: A. green B. orange C. red D. white

## Wiring Diagram



## Installation

