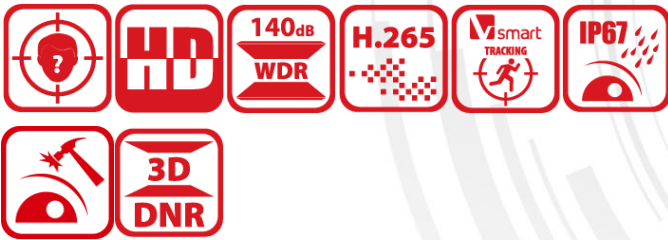


DS-2DF6A436X-AELY(T5) 4 MP 36 × Network Speed Dome



Hikvision DS-2DF6A436X-AELY(T5) 4MP 36× Network Speed Dome adopts 1/1.8" progressive scan CMOS chip. With the 36× optical zoom lens, the camera offers more details over expansive areas. This series of cameras can be widely used for wide ranges of high-definition, such as the rivers, forests, roads, railways, airports, ports, squares, parks, scenic spots, stations and large venues, etc.

- 1/1.8" Progressive Scan CMOS
- High quality imaging with 4 MP resolution
- Excellent low-light performance with DarkFighter technology
- 36× optical zoom and 16× digital zoom provide close up views over expansive areas
- Supports rapid focus
- Water and dust resistant (IP67) and vandal proof (IK10)
- Supports face capture to detect, capture, grade, and select faces in motion
- Supports road traffic to detect vehicles

▪ Specification

| Camera | |
|-----------------------|---|
| Image Sensor | 1/1.8 " progressive scan CMOS |
| Min. Illumination | color: 0.001 Lux @ (F1.2, AGC ON), B/W: 0.0005 Lux @(F1.2 , AGC ON), 0 Lux with IR |
| Shutter Speed | 1/1 s to 1/30,000 s |
| Slow Shutter | yes |
| Day & Night | ICR |
| Day/Night Switch | day, night, auto, scheduled-switch |
| BLC | yes |
| WDR | 140 dB WDR |
| HLC | yes |
| 3D DNR | yes |
| Defog | yes |
| EIS | Yes. Built-in gyroscope to improve EIS performance. |
| Regional Exposure | yes |
| Regional Focus | yes |
| White Balance | auto,ATW,sodium lamp,fluorescent lamp,indoor,outdoor,MWB,Locked WB |
| Digital Zoom | 16x |
| Optical Zoom | 36x |
| Privacy Mask | up to 24 masks,polygon region ,mosaic mask ,mask color configurable |
| DORI | Detect (25 px/m): 2965.5 m Observe (63 px/m): 1176.8 m Recognize (125 px/m): 604.1 m Identify (250 px/m): 302.1 m |
| SNR | ≥52dB |
| General Function | mirror, password protection, watermark, IP address filter |
| Optical Defog | yes |
| Lens | |
| Focus | Auto,semi-auto>manual,rapid focus |
| Focal Length | 6.0 mm to 216 mm, 36× Optical |
| Zoom Speed | approx. 4.5 s |
| FOV | Horizontal field of view: 56.6° to 1.7° (wide-tele), Vertical field of view: 33.7° to 0.9° (wide-tele), Diagonal field of view: 63.4° to 1.9° (wide-tele) |
| Aperture | F1.2 |
| PTZ | |
| Movement Range (Pan) | 360° |
| Movement Range (Tilt) | -20° to 90° (auto flip) |
| Pan Speed | pan speed: configurable from 0.1° to 300°/s; preset speed: 540°/s |
| Tilt Speed | tilt speed: configurable from 0.1° to 240°/s, preset speed 400°/s |
| Proportional Zoom | yes |
| Presets | 300 |
| Patrol Scan | 8 patrols, up to 32 presets for each patrol |
| Pattern Scan | 4 pattern scans, record time over 10 minutes for each scan |

| | |
|-----------------------|---|
| Power-off Memory | yes |
| Park Action | preset,pattern scan,patrol scan,auto scan,tilt scan,random scan,frame scan,panorama scan |
| 3D Positioning | yes |
| PTZ Status Display | yes |
| Preset Freezing | yes |
| Scheduled Task | preset,pattern scan,patrol scan,auto scan,tilt scan,random scan,frame scan,panorama scan,dome reboot,dome adjust,aux output |
| Video | |
| Max. Resolution | 2560 × 1440 |
| Main Stream | 50 Hz: 25 fps (2560×1440, 1920×1080, 1280×960, 1280×720) 60 Hz: 30 fps (2560×1440, 1920×1080, 1280×960, 1280×720) |
| Sub-Stream | 50 Hz: 25 fps (704 × 576, 640 × 480, 352 × 288) 60 Hz: 30 fps (704 × 480, 640 × 480, 352 × 240) |
| Third Stream | 50 Hz: 25 fps (1920 × 1080, 1280 × 960, 1280 × 720, 704 × 576, 640 × 480, 352 × 288) 60 Hz: 30 fps (1920 × 1080, 1280 × 960, 1280 × 720, 704 × 480, 640 × 480, 352 × 240) |
| Video Compression | H.265,H.264,MJPEG |
| Video Bit Rate | 32 Kbps to 16384 Kbps |
| H.264 Type | baseline profile,main profile,high profile |
| H.265 Type | main profile |
| H.264+ | yes |
| H.265+ | yes |
| SVC | yes |
| ROI | fixed region |
| Audio | |
| Audio Compression | G.711alaw,G.711ulaw,G.722.1,G.726,MP2L2,PCM |
| Audio Bit rate | 64 Kbps(G.711)/16 Kbps(G.722.1)/16 Kbps(G.726)/32~192 Kbps(MP2L2) |
| Smart Features | |
| Face Capture | Support detecting up to 30 faces at the same time. Support detecting, tracking, capturing, grading, selecting of face in motion, and output the best face picture of the face. |
| Road Traffic | Support vehicle detection (license plate number,vehicle model, and vehicle color recognition) |
| Basic Event | motion detection,video tampering alarm,alarm input and output,exception |
| Smart Event | intrusion detection,line crossing detection,region entrance detection,region exiting detection,parking detection,unattended baggage detection,object removal detection,vandal-proof alarm,audio exception detection |
| Smart Tracking | manual tracking,event tracking,auto-tracking |
| Smart Record | ANR,Dual-VCA |
| Alarm Linkage | Alarm actions, such as Preset, Patrol Scan, Pattern Scan, Memory Card Video Record, Trigger Recording, Notify Surveillance Center, Upload to FTP/Memory Card/NAS, Send Email, etc. |
| Network | |
| Network Storage | NAS (NFS, SMB/ CIFS),ANR |
| Protocols | IPv4/IPv6, HTTP, HTTPS, 802.1x, Qos, FTP, SMTP, UPnP, SNMP, DNS, DDNS, NTP, RTSP, RTCP, RTP, TCP/IP, DHCP, PPPoE, UDP, IGMP, ICMP, Bonjour |

| | |
|---------------------------|---|
| API | Open-ended API, ISAPI,Hikvision SDK,Third-party management platform,Ehome,ISUP,ONVIF (Profile S, Profile G, Profile T) |
| Simultaneous Live View | Up to 20 channels |
| User/Host | Up to 32 users. 3 levels: Administrator, Operator and User |
| Smooth Streaming | yes |
| Security Measures | User authentication (ID and PW), Host authentication (MAC address); HTTPS encryption; IEEE 802.1x port-based network access control; IP address filtering |
| Client | iVMS-4200,Hik-Connect,Hikcentral |
| Web Browser | IE11, Chrome 57.0+, Firefox 52.0+, Safari 11+ |
| Interface | |
| Communication Interface | RJ45, self-adaptive 10M/100M Ethernet port |
| On-board Storage | Built-in memory card slot, support Micro SD/Micro SDHC/Micro SDXC, up to 256 GB; NAS (NFS, SMB/ CIFS), ANR |
| Alarm Input | 7 alarm inputs |
| Alarm Output | 2 alarm outputs |
| Audio Input | 1 audio input, 2.0 to 2.4Vp-p, 1k Ohm±10% |
| Audio Output | 1 audio output, line level, impedance: 600 Ω |
| Video Output | 1.0V[p-p]/75Ω,PAL,NTSC,BNC connector |
| RS-485 | HIKVISION, Pelco-P, Pelco-D, self-adaptive |
| General | |
| Power | 24 VAC±25% (Max. 45 W, including max. 6 W for heater), Hi-PoE (Max. 50 W, including max. 6 W for heater) |
| Operating Conditions | Temperature: -40°C to 70°C (-40°F to 158°F) , Humidity: ≤ 95% |
| Dimensions | ∅ 231.1 mm × 355.6 mm (∅ 9.10" × 14") |
| Weight | Approx. 6 kg (13.23 lb.) |
| Web Client Language | 33 languages: English, Russian, Estonian, Bulgarian, Hungarian, Greek, German, Italian, Czech, Slovak, French, Polish, Dutch, Portuguese, Spanish, Romanian, Danish, Swedish, Norwegian, Finnish, Croatian, Slovenian, Serbian, Turkish, Korean, Traditional Chinese, Thai, Vietnamese, Japanese, Latvian, Lithuanian, Portuguese (Brazil), Ukrainian |
| Approval | |
| EMC | FCC SDoC (47 CFR Part 15, Subpart B); CE-EMC (EN 55032: 2015, EN 61000-3-2: 2019, EN 61000-3-3: 2013, EN 50130-4: 2011 +A1: 2014); RCM (AS/NZS CISPR 32: 2015); IC VoC (ICES-003: Issue 6, 2019); KC (KN 32: 2015, KN 35: 2015) |
| Safety | UL (UL 62368-1) CB (IEC 60950-1:2005 + Am 1:2009 + Am 2:2013, IEC 62368-1:2014); CE-LVD (EN 62368-1:2014+A11:2017), BIS (IS 13252(Part 1):2010+A1:2013+A2:2015); LOA (SANS IEC60950-1) |
| Environment | CE-RoHS (2011/65/EU); WEEE (2012/19/EU); Reach (Regulation (EC) No 1907/2006) |
| Anti-Corrosion Protection | NEMA 4X |
| Protection | Lightning Protection, Surge Protection and Voltage Transient Protection,±6kV Line to Gnd, ±3kV Line to Line,IEC61000-4-5,IP67 Standard,IK10 |

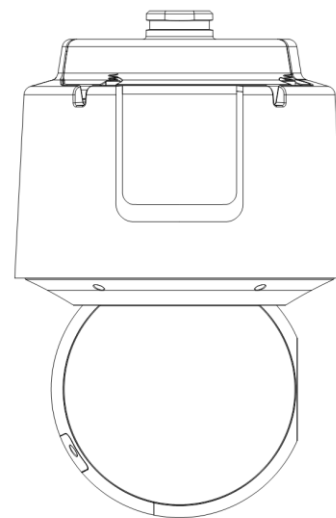
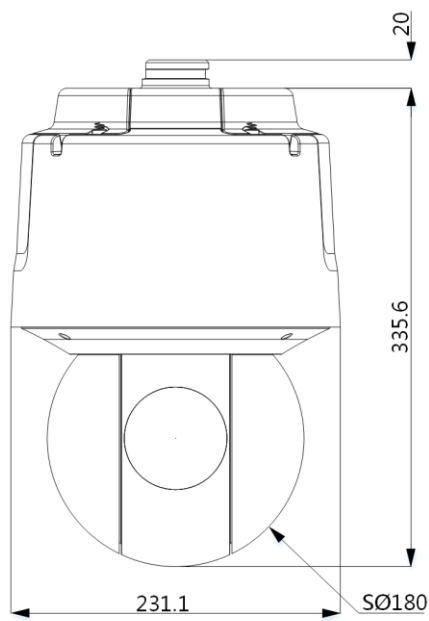
Smart Features

| | |
|----------------------|---|
| Perimeter Protection | Line crossing, intrusion, region entrance, region exiting Support alarm triggering by specified target types (human and vehicle) |
|----------------------|---|

Available Model

DS-2DF6A436X-AELY(T5)

Dimension

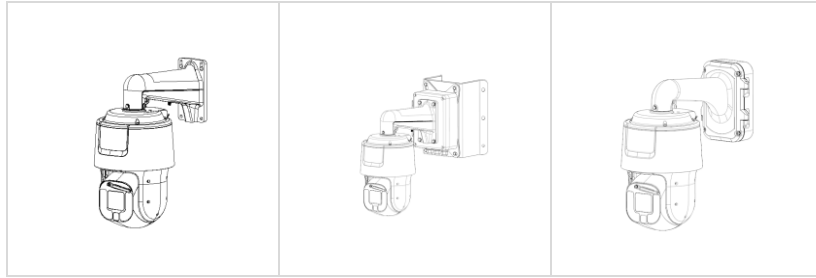


Unit:mm

Accessory

Optional

| DS-1602ZJ-AKS | DS-1604ZJ-BOX-Co rner-Y | DS-1604ZJ-BOX-Y |
|---|---|---|
|  |  |  |



Headquarters

No.555 Qianmo Road, Binjiang District,
Hangzhou 310051, China
T +86-571-8807-5998
www.hikvision.com



Follow us on social media to get the latest product and solution information.

